

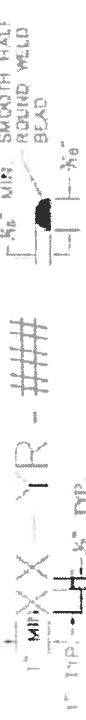
ITEM No.	No. REQ'D	DESCRIPTION	MATERIAL	DWG No.
1	1	OCT. SECT. SHAFT 8" A/F TO 4 5/16" A/F EXTERIOR DIM.	7 GA. A570 GR.50	
2	1	BASE PLATE 12" SQUARE	1 1/4" PL. G40.21 44W	
3	1	HANDHOLE 4 3/4" x 12" c/w COVER ASSY		ST-163
4	1	ACCESS PANEL 4 3/4" x 24" (36 CIRCUIT) c/w COVER ASSY.		ST-164 & ST-111
5	1	OCT. SECT. DAVIT 4 3/4" A/F TO 2 3/4" A/F EXTERIOR DIM.	11 GA. A570 GR.50	
6	1	TENON 2" IPS (2 3/8" OD) x 10" LONG	A53 GR.B SCHED.40	
7	1	GROUND BOLT 3/8"-UNC x 1" LONG FULLY THREADED	5/8" 1 INT. 1 PLAT WASHER & 1 LOCK WASHER ALL STAINLESS STEEL TYPE 316	
8	1	BACKUP STRIP 1 1/4" x LENGTH TO SUIT	7 GA. A570 GR.50	

FINISH:
HOT DIP GALVANIZE TO CSA STANDARD G164-M92 TO NET MINIMUM RETENTION OF 600 g/m²
ALL AREAS OF DAMAGED GALVANIZING SHALL BE REPAIRED WITH SELF FLUXING LOW TEMPERATURE ZINC BASED ALLOY ROD. USE OF SPRAY ON COATINGS IS NOT ACCEPTABLE.

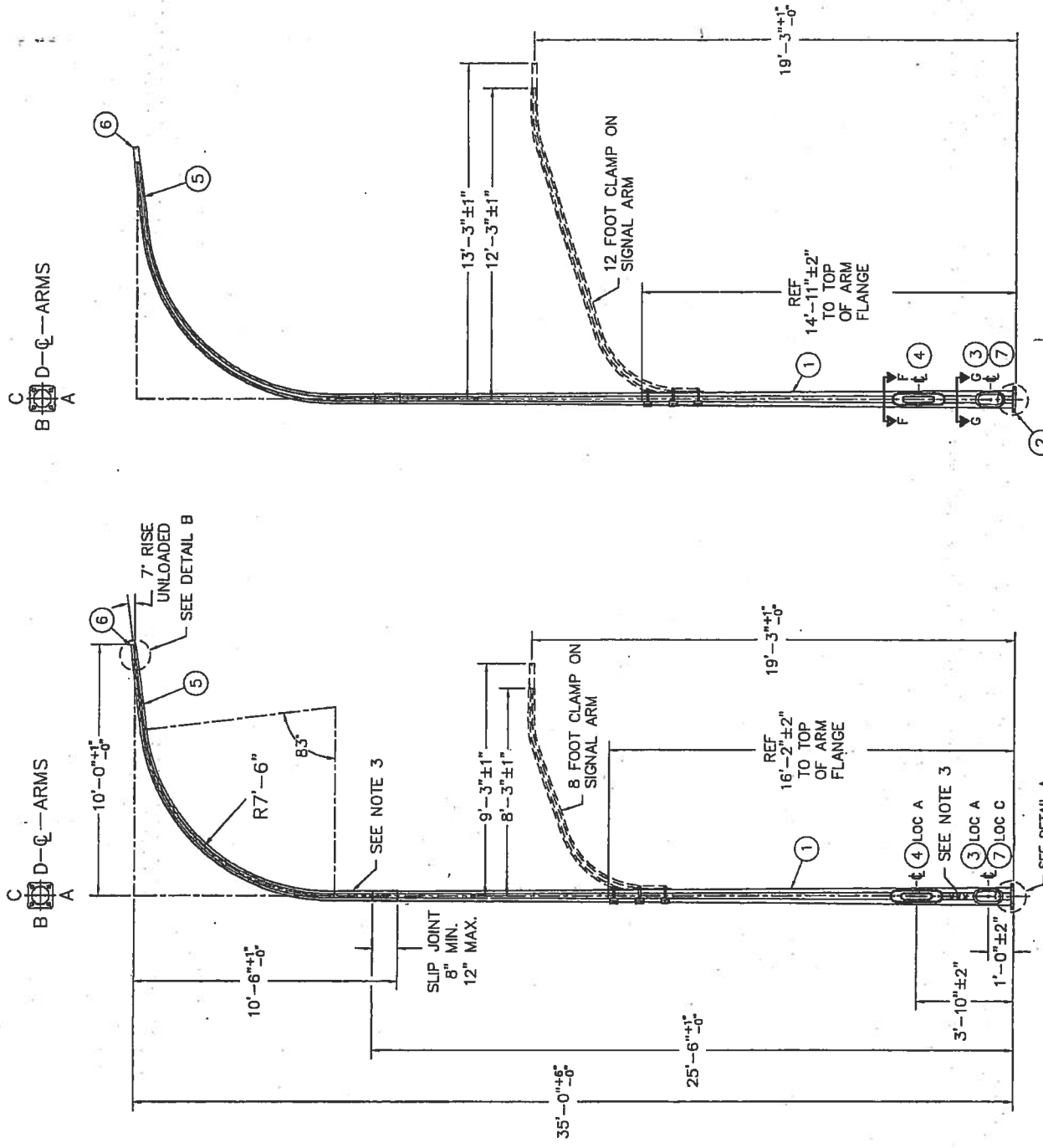
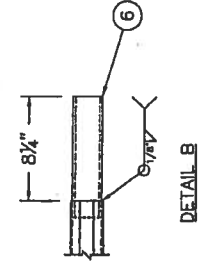
NOTES:

1. WELDING
ALL WELDING SHALL CONFORM TO CSA STANDARD W59. FABRICATOR SHALL BE FULLY APPROVED BY THE CANADIAN WELDING BUREAU AS PER CSA STANDARD W47.1. LONGITUDINAL SEAM WELD SHALL HAVE 60% MINIMUM PENETRATION EXCEPT 6" FROM LOWER END OF SHAFT AND 4" FROM UPPER END OF SHAFT AND 4 1/2" FROM LOWER END OF DAVIT SHALL BE COMPLETE PENETRATION. THE START AND END OF COMPLETE PENETRATION LONGITUDINAL SEAM WELD SECTIONS SHALL BE SMOOTH AND FREE OF NOTCHES OR OTHER WELD DEFECTS. ACCESS OPENING RING TO SHAFT WELD AND HANDHOLE RING TO SHAFT WELD SHALL HAVE AN EFFECTIVE THROAT EQUAL OR GREATER THAN THICKNESS OF SHAFT. THE LONGITUDINAL SEAM WELD IN ARM SHALL BE ADJACENT TO THE FLAT WHICH IS OUTERMOST FLAT THROUGH THE BEND.
2. TOLERANCES
ALL ACROSS FLAT (A/F) ARE EXTERIOR DIMENSIONS. THE BOTTOM OF SHAFT SHALL BE 8", +0", -1/8" A/F, AND TOP OF SHAFT SHALL BE 4 5/16" +0", -1/8" A/F. THE BOTTOM OF ARM SHALL BE 4 3/4", +0", -1/8" A/F, AND TOP OF ARM SHALL BE 2 3/4" +0", -1/8" A/F.
3. IDENTIFICATION
THE ALIGNMENT OF THE BASE PLATE TO THE POLE SHAFT SHALL BE ±1" AT THE TOP OF THE POLE SHAFT FROM PERPENDICULAR TO THE BASE PLATE.

XX IS THE POLE MANUFACTURER CODE. YR IS THE LAST TWO DIGITS OF YEAR OF MANUFACTURE AND ## IS THE POLE NUMBER STARTING WITH 001 AND PROCEEDING CONSECUTIVELY FOR EACH ADDITIONAL POLE DURING THE MANUFACTURE YEAR.

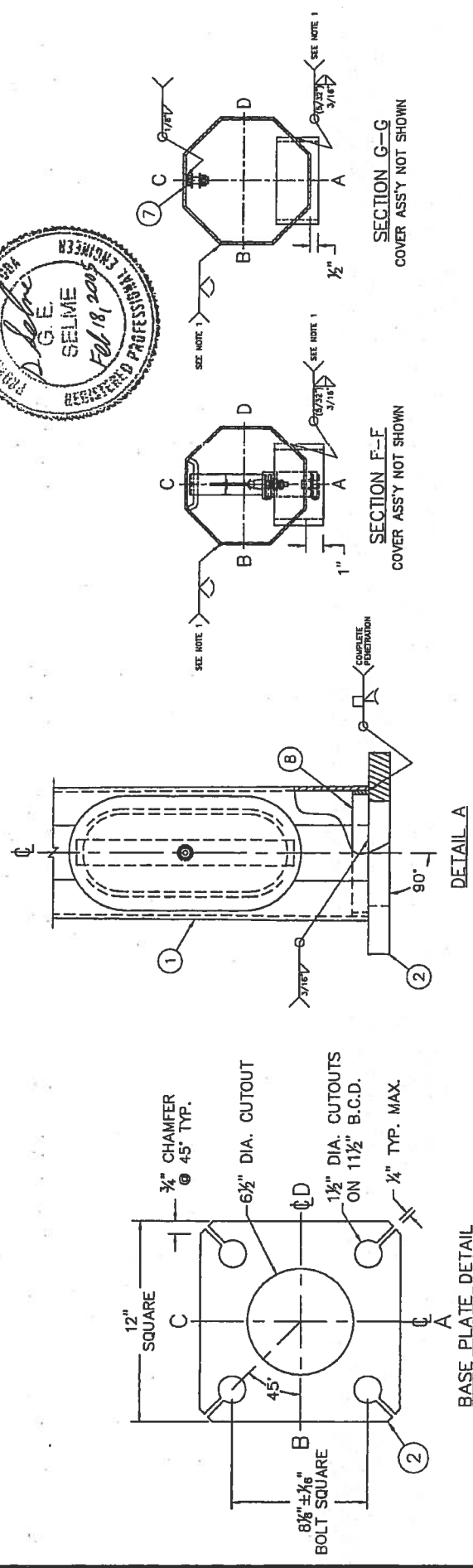


4. ANCHOR RODS (NOT PART OF THIS CONTRACT)
JOINT USE POLE SHALL USE 4-1 1/4" DIA. ANCHOR BOLTS ON 1 1/2" BCD FOR ALL NEW INSTALLATIONS. ON EXISTING CONCRETE BASES WITH 1" DIAMETER ANCHOR RODS, MAXIMUM LOAD CONFIGURATIONS ON ST-158 SHEET 3 SHALL BE USED.
5. CLAMP ON ARMS
THE 8 FOOT CLAMP ON ARM AND 12 FOOT CLAMP ON ARM ARE NOT PART OF THIS CONTRACT.



MAXIMUM UNFACTORED BASELOADS

MX	25848 lb.ft.
MY	8300 lb.ft.
TORSION	6114 lb.ft.
SHEAR X	305 lb.
SHEAR Y	1530 lb.
DEAD LOAD	804 lb.



REV. No.	DATE	REVISIONS	APPROVED
1	FEB 2 2005	REDRAWN AND ADDED SHEET 2 & 3	<i>[Signature]</i>

THE CITY OF WINNIPEG
PUBLIC WORKS DEPARTMENT
TRANSPORTATION DIVISION

GES ENGINEERING INC.
CALGARY, AB. PHONE (403) 240-2921 FAX (403) 240-3713

35 FT. SIGNALS STREET LIGHTING JOINT USE POLE

DESIGNED AND APPROVED	DRAWN	DWG No.
<i>[Signature]</i>	G.G.	ST-158
DATE	DATE	SHEET
Jan 12, 2005	DEC 6, 2004	1 OF 3
	SCALE	REV. No.
	NTS	1